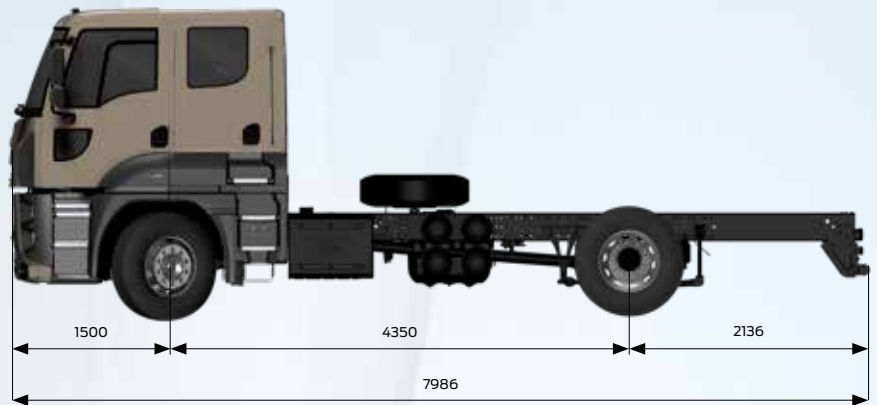


FORD TRUCKS 1833 CREW CAB EURO6



Basic Features

Vehicle Type	Road Truck
Axle	4x2
Emission	Euro 6
Cabin Type	Crew Cab
Wheelbase (mm)	4350

Engine

Type	Ecotorq 9 liters
Displacement (cc)	8974
Diameter x Stroke	115 mm x 144 mm
Power	330 PS (243 kW) @ 1900 rpm
Torque	1300 Nm @ 1200-1700 rpm
Compression Ratio	17,6 : 1
Oil Filling Volume	30 L
Coolant Volume	35 L

Transmission

Clutch	430mm Single Disc
Manuel Transmission / Ratios (1. gear - 9. gear)	9+1 Speed (9,48 - 0,75)

Steering

Power Assisted Single Circuit

Chassis

Chassis Thickness (mm)	7mm with Reinforcement
Chassis Strength [MPa]	355 MPa
Suspension (Front/Rear)	Parabolic Leaf Spring / Multileaf Spring
Axle (Front/Rear)	Standard Single Reduction
Axle Ratio	4,63
Tyres (Front/Rear)	315/80 R 22.5
Wheel Rim	Steel Wheel (22.5x9)

Braking System

Brakes (Front/Rear) (Ø.mm x mm. Length)	430 x 45 - Disc Brake
Braking System	Dual Brake Circuit – Air Processing Unit with Integrated Oil Separator and Heater
Engine Brake Power	max 220 kW (Engine Level)

Electrical System

Battery	24V, 2x12V 150 Ah
Alternator / Starter Motor	130 A / 6.5 kW

Tanks

Fuel Tank	350 L Aluminium
SCR Tank	55 L

Dimensions (mm)

Front Overhang	1500
Wheelbase	4350
Overall Length	7986
Overall Cab Length	2745
Overall Vehicle Height	3107
Overall Vehicle Width (excluding Mirrors)	2540
Chassis Width	866
Rear Overhang	2136
Useful Chassis Length	4850
Chassis Height-Front	225
Chassis Height-Rear	275
Ground Clearance-Front	435
Ground Clearance-Rear	308
Turning Radius	9526

Weights (kg)

	1. Axle	2. Axle	Total
Technically Permissible Weights	7100	13400	19000
Kerb Weight	4461	2634	7095
Payload	2639	10766	11905
Gross Vehicle Mass (Legal)	7100	11500	18000

STANDARD EQUIPMENT

- Air Conditioner
- Radio/CD/MP3 Player
- Cruise Control
- Disc Brake
- Engine Brake
- Electronic Brake System (EBS) including Anti-lock Brake System (ABS)
- Electronic Stability Control (ESP)
- Electrically Operated Windows
- Electrically Operated and Heated Side Mirrors
- Electrically Operated Headlight Levelling
- Hill Launch Assist
- Spare Wheel
- Tag Axle Lifting
- Heated and Air Suspended Driver Seat
- Lumbar Support
- Digital Tachograph
- Rake and Reach Adjustable Steering Column
- Front Fog Lamps
- Immobilizer
- Single Key with Remote Control and Central Locking
- Differential lock
- Home Safe Light
- Approach Light
- Brake Lining Wear Sensor

OPTIONAL EQUIPMENT

- Transmission Driven PTO & Interior Control Unit
- Engine Driven PTO & Interior Control Unit*
- Cold Climate Pack
- Auxiliary cabin heater (wet type)
- Power cab tilting
- Metallic Paint/Special Colors
- Modular Tachograph
- Rain Sensor

* Available for Fire Fighter Pack